

lamaPLC: CJMCU-164; SN74HC164D 8-bit Shift Register Module

The CJMCU164 8-bit shift register board is based on the SN74HC164D IC. The SN74HC164D is an 8-bit serial-in parallel-out shift register.



SN74HC164D

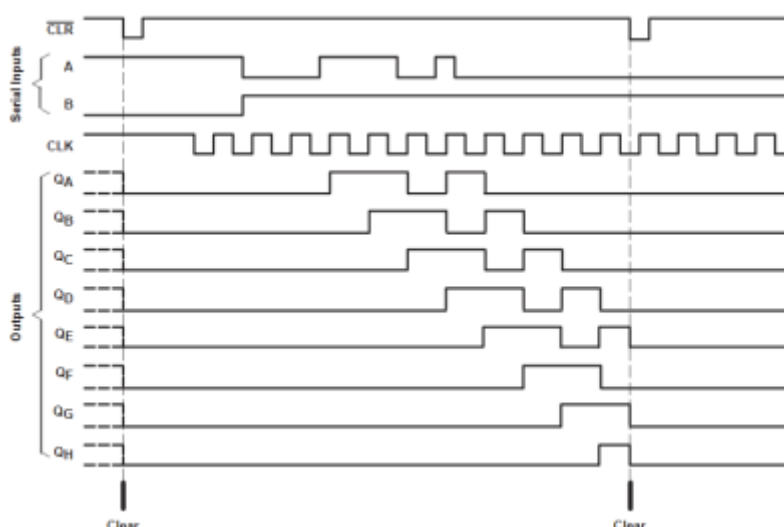
These 8-bit shift registers have AND-gated serial inputs and an asynchronous clear (CLR). The serial inputs (A and B) can be controlled completely; a low level at either input prevents new data from entering and resets the first flip-flop to low at the next clock pulse (CLK). When an input is high, it allows the other to control the first flip-flop's state. Data at the serial inputs can be altered while CLK is high or low, provided the minimum setup time is met. Clocking happens on the low-to-high transition of CLK.



If you'd like to support the development of the site with the price of a coffee — or a few — [please do so here](#).

Here's a handy tip: you can quickly save this page as a PDF by clicking "export to PDF" in the menu on the right side of the screen.

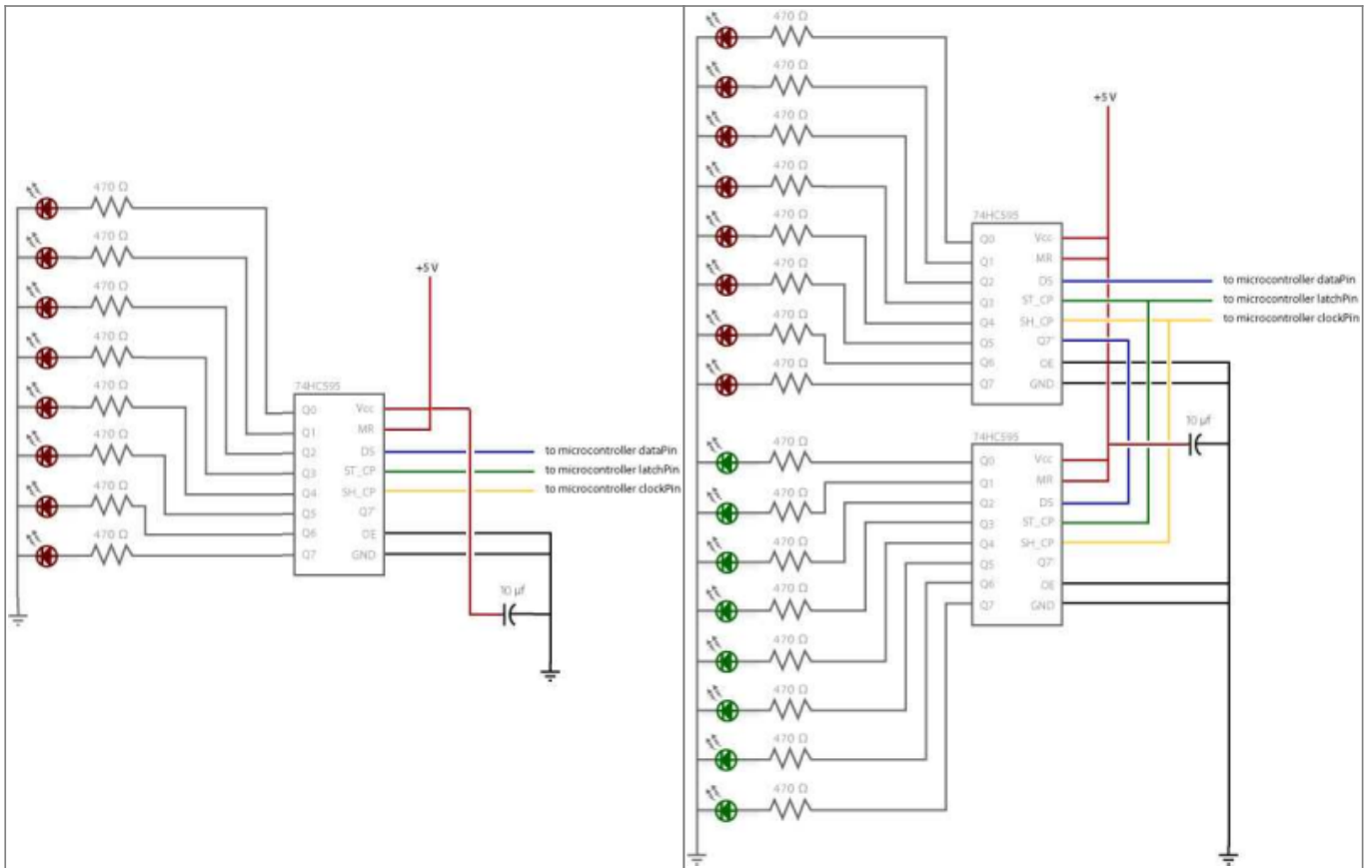
2026/02/14 23:38



Technical data

- Supply voltage range, Vcc: -0.5 V .. 7 V
- Input clamp current, IiK (Vi < 0 or Vi > Vcc): ±20 mA

- Output clamp current, I_{oK} ($V_o < 0$ or $V_o > V_{cc}$): ± 20 mA
- Continuous output current, I_o ($V_o = 0$ to V_{cc}): ± 25 mA
- Continuous current through V_{cc} or GND : ± 50 mA



CJMCU-164 Pinout



Pin Name	Type	Description
VCC	Power	Supply voltage (2V to 6V)
GND	Power	Ground
DSA (A)	Input	Serial Data Input A. AND-gated with DSB
DSB (B)	Input	Serial Data Input B. AND-gated with DSA
CP / CLK	Input	Clock Input. Shifts data on the low-to-high transition
MR / CLR	Input	Master Reset (Active LOW). Clears all outputs to LOW regardless of other inputs
Q0 - Q7	Output	8-bit Parallel Data Outputs

Pin Functions & Usage

- **Gated Serial Inputs (DSA/DSB):** These two pins are logically AND-gated. To use a single data line from your Arduino, connect one of these pins to 5V and send your data to the other, or simply tie both together.
- **No Latch Pin:** Unlike the common 74HC595, the '164 lacks a storage/latch register. Data shifted into the register is immediately visible on the output pins (Q0-Q7) as it moves through the register.
- **Daisy Chaining:** You can connect multiple CJMCU-164 modules by linking the Q7 output of the first module to a serial input (DSA or DSB) of the next

Arduino example code

Arduino Pinout

CJMCU-164 Pin	Arduino Pin	Description
VCC	5V	Power Supply (2V to 6V)
GND	GND	Ground
DSA / DSB	Pin 2	Data Input (Connect one or both together)
CP (Clock)	Pin 3	Clock Input (Shifts on Low-to-High transition)
MR (Reset)	5V	Master Reset (Keep HIGH for normal operation)

Example Code

This code uses the built-in `shiftOut()` function to send an 8-bit pattern to the register, which will light up LEDs or drive other parallel components.

```
// Define pins connected to the CJMCU-164
#define DATA_PIN 2 // Connected to DSA/DSB
#define CLOCK_PIN 3 // Connected to CP

void setup() {
  // Set pins as outputs
  pinMode(DATA_PIN, OUTPUT);
  pinMode(CLOCK_PIN, OUTPUT);
}

void loop() {
  // Example 1: Send a binary pattern (B10101010)
  // This will turn on every other output pin (Q0-Q7)
  shiftOut(DATA_PIN, CLOCK_PIN, LSBFIRST, 0b10101010);
  delay(1000);

  // Example 2: "Walking" bit (Light one LED at a time)
  for (int i = 0; i < 8; i++) {
    byte pattern = (1 << i);
    shiftOut(DATA_PIN, CLOCK_PIN, LSBFIRST, pattern);
    delay(200);
  }
}
```

Key Technical Details

- **No Latch:** Because there is no latch (RCLK), the outputs will “flicker” briefly as new data bits are shifted through the register.
- **Data Inputs:** The board typically has two data inputs (A and B) that are AND-gated. For standard use, tie them together or pull one HIGH and send data to the other.
- **Shift Direction:** You can use LSBFIRST or MSBFIRST in the *shiftOut()* function, depending on which output pin (Q0 or Q7) you want to represent the first bit.

Source

<https://docs.arduino.cc/tutorials/communication/guide-to-shift-out/>

Communication topics on lamaPLC

Page	Date	Tags
• ISM Band	2026/04/23 21:51	ism, ism band, rfid, nfc, dash7, hc-12, arduino, zigbee, z-wave, bluetooth, wi-fi, thread, miwi, nrf24, starlink, wiegand, rf, communication, bus, radio, ku band, ka band, k band, x band
• lamaPLC Communication: 1-Wire	2026/04/23 21:51	1-wire, communication, bus, microlan, i2c, uart, usart, ds18b20
• lamaPLC Communication: AS-i	2026/04/23 21:51	bus, communication, as-i, basic, industrial ethernet, devicenet, interbus, manchester-ii, apm
• lamaPLC Communication: Bluetooth basic	2026/04/23 21:51	communication, bus, bluetooth, ism, ieee, 802.15.1, ble, lmp, l2cap, rfcomm, iot, arduino, hc-05, hc-06
• lamaPLC Communication: CAN	2026/04/23 21:51	communication, bus, can, canopen, most, automotive ethernet, sent sae-j2716, flexray, lin bus
• lamaPLC Communication: ControlNet	2026/04/23 21:51	bus, communication, devicenet, cip, can, ethernet ip, ethernet, controlnet, mac, peer-to-peer, allen-bradley, rockwell automation, fieldbus, rg-6, coaxial cable
• lamaPLC Communication: DALI	2024/11/16 21:08	communication, rs-232, dali, light technic, diia, selv, manchester, asynchronous, half-duplex, serial, iec 62386, d4i, dali-2, dt6, dt8
• lamaPLC Communication: DASH7	2026/04/23 21:51	bus, communication, dash7, ism, srd, aes 128, d7a, blast, iot, rfid
• lamaPLC Communication: DeviceNet	2024/11/16 20:43	bus, communication, devicenet, 62026-3, cip, can, ethernet ip, ethernet, controlnet, mac, peer-to-peer, canopen, allen-bradley, rockwell automation, bosch

- [lamaPLC Communication: DMX512](#) 2024/11/16 01:16 bus, communication, dmx512, dmx512-a, rs-485, xlr3, xlr5
- [lamaPLC Communication: EtherNet/IP](#) 2026/04/23 21:51 communication, ethernet, bus, ip, cip, ethernet ip, udp, industrial ethernet, ie, tcp, unicast, devicenet, controlnet, ieee 802.3
- [lamaPLC Communication: GPS](#) 2024/11/15 21:15 communication, satellite, navigation, gps, ocx, cdma, glonass, beidou, galileo, qzss, uart, arduino
- [lamaPLC Communication: IEC 61850 basic](#) 2026/04/23 21:51 1-wire, communication, bus, xml, iec 61850, iec, ethernet, scl, goose, ied
- [lamaPLC Communication: InterBus](#) 2024/11/16 01:46 bus, communication, interbus, phoenix contact, en 50254, iec 61158
- [lamaPLC Communication: IoT](#) 2026/04/23 21:51 communication, iot, internet, iomt, 6lowpan, ipv4, ipv6, bluetooth, ble, li-fi, nfc, rfid, wi-fi, zigbee, z-wave, lte-advanced, 5g, lora, dash7, lpwan, lorawan, sigfox, nb-iot, weightless, rpma, mioty, vsat, ethernet, thread, matter
- [lamaPLC Communication: I²C](#) 2025/09/23 21:25 i2c, i c, smbus, philips, bus, communication, arduino
- [lamaPLC Communication: KNX / EIB](#) 2026/04/23 21:51 communication, bus, knx, knx tp, knx pl, knx rf, knx ip, eib, ehs, batibus, ethernet, ets
- [lamaPLC communication: Matter](#) 2026/04/23 21:51 communication, iot, matter, ethernet, tcp, udp, ipv6, thread, ble, cellular, wifi, pki, ip
- [lamaPLC Communication: Modbus](#) 2026/04/23 21:51 modbus, communication, bus, modicon, standard, rtu, tcp, multimaster, coil, register
- [lamaPLC Communication: MQTT](#) 2024/11/15 21:28 communication, mqtt, iot, tcp, udp, bluetooth, tcp ip, quic, mqtt-sn, oasis, message broker, mosquitto, qos, arduino, iso iec 20922
- [lamaPLC Communication: NFC](#) 2026/04/23 21:51 communication, nfc, rfid, bluetooth, ble, manchester, ask, iso iec 18092
- [lamaPLC Communication: NRF24](#) 2024/11/16 02:26 bus, communication, nrf24, ism, ism band, gfsk, rpd, arduino
- [lamaPLC Communication: OPC](#) 2024/11/15 21:33 communication, opc, scada, ole, net, xml, tcp, hmi, server, opc ua, opc ua client, mqtt, json, dcom, simatic, erp
- [lamaPLC Communication: PowerLink](#) 2026/04/23 21:51 communication, bus, ethernet, tcp, udp, http, powerlink, fast ethernet, opensafety
- [lamaPLC Communication: Profibus](#) 2026/04/23 21:51 profibus, profibus pa, profibus dp, communication, fieldbus, bus, iec 61158, iec 61784-1, profinet, rs-485
- [lamaPLC Communication: RFID](#) 2026/04/23 21:51 communication, rfid, radio, rf, aidc, prat, arpt, arat, bap, uhf, nfc, em4100, t5557, tag, manchester, fsk, psk, biphas, nrz
- [lamaPLC Communication: RS-232](#) 2026/04/23 21:51 bus, communication, rs-232, rs, basic

- [lamaPLC Communication: RS-422](#) 2026/04/23 21:51 bus, communication, rs-422, rs, basic
- [lamaPLC Communication: RS-485](#) 2026/04/23 21:51 bus, communication, rs-485, rs, basic, profibus
- [lamaPLC Communication: SCADA](#) 2026/04/23 21:51 communication, scada, industry, industrial, hmi
- [lamaPLC Communication: Sinec H1](#) 2026/04/23 21:51 communication, bus, fieldbus, sinec-h1, s5, s7, simatic, siemens, industrial ethernet, ie, iec 8073
- [lamaPLC Communication: SPI](#) 2026/04/23 21:51 bus, communication, spi, basic, arduino, ssi, sdi, miso, sdo
- [lamaPLC Communication: TCP / UDP Basic](#) 2025/11/20 22:49 communication, bus, tcp, udp, tcp ip, darpa, ietf, smtp, http, https, ftp, ftps ssh, pop3, imap, mysql, cpanel, whm, ssl, webmail, mqtt, ethernet, ip
- [lamaPLC communication: Thread](#) 2024/11/15 23:07 bus, communication, matter, thread, matter over thread, zigbee, aes, ipv6, iot, 6lowpan, ethernet, wifi
- [lamaPLC Communication: UART / USART basic](#) 2026/04/23 21:51 bus, communication, uart, rs-232, rs-422, rs-485
- [lamaPLC Communication: USB](#) 2026/04/23 21:51 usb, usb otg, otg, msc, ums, mtp, dfu, uac, adc, communication, bus, basic
- [lamaPLC Communication: Wi-Fi](#) 2026/04/23 21:51 communication, iot, internet, wi-fi, wifi, ieee 802.11
- [lamaPLC Communication: Wiegand](#) 2026/04/23 21:51 wiegand, communication, interface, cr80, iec 7810, h10301, hid, wiegand 26, wiegand 32, wiegand 34, wiegand 35, wiegand 37, wiegand 38, wiegand 42
- [lamaPLC Communication: WS2812](#) 2024/11/16 00:36 bus, communication, ws2812, ws2812b, ws 2812, ws 2812 b, 5050smd, 4020, 2020, 3535, 5050, nzt, rgb chip, led, arduino, rgb
- [lamaPLC Communication: Z-Wave](#) 2026/04/23 21:51 communication, ethernet, bus, ip, z-wave, ism
- [lamaPLC Communication: Zigbee](#) 2026/04/23 21:51 communication, ethernet, bus, ip, zigbee, wpan, bluetooth, wi-fi, ism, ieee 802.15.4, zdo, zigbee pro, zc, zr, zed, smart energy, homegrid, homeplug, powerline, ipso, sunspec, 6lowpan, ipv6, rf4ce
- [LamaPLC: AHT10 Modul](#) 2026/03/22 03:14 communication, i2c, temperature, humidity, sensor, aht, aht 10, modul
- [lamaPLC: AI-Thinker LoRA products](#) 2026/04/23 21:51 ai-thinker, lora manufacturer, communication, lora, modul, ra-01, ra-02, spi, arduino
- [LamaPLC: APDS - Avago ALS and proximity detection sensors with I²C communication](#) 2026/04/23 21:52 avago, apds-9900, apds-9930, apds-9960, als, proximity, detection, gesture recognition, gesture, i2c, communication, sensor, arduino, code
- [lamaPLC: AS5600 Magnetic Induction Angle Measurement Sensor Module](#) 2026/05/13 00:06 communication, i2c, as5600, as-5600, magnetic, induction, angle, sensor

• lamaPLC: B+G E-Tech DS100 Energy Meter with Modbus	2026/06/05 15:59	communication, modbus, b g, e-tech, ds100, energy meter, em
• LamaPLC: BMP/BME Bosch Temperature/Humidity/Pressure sensors with I ² C communication	2026/04/23 21:52	bme280, bme680, bme688, bmp180, bmp280, hw-611, hw611, bosch, temperature, humidity, pressure, sensor, arduino, i2c, communication, ai, cjmcu, volatile organic compounds, vocs, volatile sulfur compounds, vscs, iaq
• lamaPLC: CJMCU-164; SN74HC164D 8-bit Shift Register Module	2026/03/06 01:19	cjmcu-164, sn74hc164d, 8-bit shift register, communication, 7-segment, cjmcu, arduino
• LamaPLC: CJMCU-219/INA-219 breakout board/IC with I ² C communication	2026/04/23 21:52	cjmcu-219, ina-219, ina219, breakout board, i2c, communication, sensor, voltage, current, arduino, code, cjmcu
• LamaPLC: CJMCU-3216 / AP-3216 integrated digital ambient light and proximity sensor module/IC with I ² C communication	2026/04/23 21:52	cjmcu-3216, cjmcu, ap-3216, ap3216, ambient light, proximity, sensor, arduino, code, i2c, communication
• LamaPLC: CJMCU-3901/PMW-3901 compact optical flow sensor module/IC by PixArt with SPI communication	2026/04/23 21:52	cjmcu-3901, cjmcu, pmw3901, pmw-3901, optical flow, sensor, pixart, spi, communication, arduino, code, pmw3901mb-txqt
• LamaPLC: CJMCU-6701: Biosensor for measuring Galvanic Skin Response (GSR) with SPI communication	2026/04/23 21:52	cjmcu, cjmcu-6701, acs758, acs-758, galvanic skin response, gsr, electrodermal activity, eda, spi, communication, arduino, code, sensor, healthcare
• lamaPLC: Communication with Eastron Smart X96	2026/06/05 15:59	communication, modbus, energy meter, em, eastron, smart, x96
• LamaPLC: DPS Infineon Temperature/Pressure sensors with I2C communication	2026/04/23 21:52	dps310, infineon, temperature, pressure, sensor, arduino, i2c, communication, code
• lamaPLC: DS18B20 1-Wire Digital Thermometer	2026/04/23 21:52	ds18b20, sensor, 1-wire, communication, arduino, thermometer, parasitic mode
• lamaPLC: Ebyte LoRA products	2026/04/23 21:51	ebyte, lora manufacturer, communication, lora, modul
• lamaPLC: Energy, power, current, and voltage	2025/05/31 23:32	i2c, i c, communication, arduino, energy, power, current, sensor, ina226
• LamaPLC: ENS ScioSense Multi-gas sensors with I ² C communication	2026/04/23 21:52	ens160, sciosense, gas-quality, i2c, communication, sensor, arduino, code, eco2, tvoc, aqi, indoor air quality, iaq, co2, voc
• lamaPLC: ESP32 / ESP8266	2025/11/22 00:07	esp8266, esp32, esp32-c2, esp32-c3, esp32-c5, esp32-c6, esp32-c61, esp32-h2, esp32-s2, esp32-s3, esp32-p4, espressif systems, communication, ethernet, ip, wi-fi, thread, zigbee, matter, homekit, bluetooth, mqtt, adc, spi, uart, i2c, i2s, rmt, pwm, usb, usb otg, twai

<ul style="list-style-type: none"> LamaPLC: Gas sensors 	<p>2023/07/01 17:29</p>	<p>gas, sensor, i2c, onewire, communication, mq-3, mq-4, mq-5, mq-6, mq-7, mq-8, mq-9, mq-135, gm-102b, gm-302b, gm-502b, gm-702b, alcohol, ch4, natural gas, smoke, lng, co, co2, lpg, h2, iso-butane, nox, nh3, benzene, town gas, formaldehyde, propane, humidity, temperature, voc, grv gas sens v2</p>
<ul style="list-style-type: none"> LamaPLC: GY-9250 MPU-9250/6500 9-axis Attitude Sensor Board 	<p>2026/04/23 21:52</p>	<p>ak8963, gy-9250, mpu-9250, 9-axis, motion detection, magnetometer, communication, i c, i2c, spi</p>
<ul style="list-style-type: none"> LamaPLC: HDC Texas Instruments Temperature/humidity sensors with I²C communication 	<p>2026/04/23 21:52</p>	<p>sht21, htu21, si7021, gy-21, gy-213v, hdc1080, gy-213v-hdc1080, cjmcu, cjmcu-1080, texas instruments, temperature, humidity, sensor, i2c, communication, arduino, code</p>
<ul style="list-style-type: none"> LamaPLC: HTU TE Connectivity temperature/humidity sensors with I²C communication 	<p>2026/04/23 21:52</p>	<p>htu, htu31d, htu21d, htu20d, sht20, htu20, sht21, htu21, si7021, gy-21, gy-213v, hdc1080, si702, gy-20, sht31, htu31, si7031, gy-31, te connectivity, temperature, humidity, i2c, communication, sensor, arduino, code</p>
<ul style="list-style-type: none"> LamaPLC: HX711 24-bit analog-to-digital converter (ADC) 	<p>2026/04/11 18:28</p>	<p>hx711, hx-711, analog-to-digital, adc, converter, load cell, wheatstone bridge, weight, sensor, communication, arduino, code</p>
<ul style="list-style-type: none"> lamaPLC: INA modules with Arduino libraries 	<p>2026/04/23 21:52</p>	<p>i2c, i c, communication, arduino, energy, power, current, monitor, sensor, ina219, gy-219, ina226, gy-216, ina228, gy-228, ina237, ina238, ina260, ina3221, ina</p>
<ul style="list-style-type: none"> lamaPLC: INA226 - current/voltage/power monitor with I²C communication 	<p>2026/04/23 21:52</p>	<p>i2c, i c, communication, arduino, energy, power, current, monitor, sensor, ina226, ina219, ina</p>
<ul style="list-style-type: none"> lamaPlc: Industrial Ethernet (IE) Basic 	<p>2026/04/23 21:51</p>	<p>communication, bus, ethernet, industrial ethernet, ie, ethercat, ethernet ip, profinet, powerlink, sercos, iii, cc-link, modbus tcp, ieee, rstp, stp</p>
<ul style="list-style-type: none"> lamaPLC: LCD 1602/2004 with I²C communication 	<p>2026/02/14 18:27</p>	<p>communication, i2c, display, lcd, 1602, 2004, hd44780, pcf8574, pcf8574t, pcf8574at, arduino</p>
<ul style="list-style-type: none"> lamaPLC: LTC3588 - Nanopower energy harvesting power supply IC 	<p>2026/04/23 21:52</p>	<p>communication, arduino, sensor, energy harvesting, eh, energy, ambient power</p>
<ul style="list-style-type: none"> LamaPLC: MAX30100/MAX30102 Heart Rate Click Sensor Module 	<p>2026/04/23 21:52</p>	<p>max30102, max30100, heart rate click, sensor, communication, i2c, arduino, code</p>
<ul style="list-style-type: none"> lamaPLC: MCP23017 / MCP23S17 16-Bit I/O Expander with Serial Interface I²C / SPI 	<p>2026/04/23 21:52</p>	<p>communication, i2c, mcp23017, mcp23s17, spi, i o expander, serial, cjmcu-2317, cjmcu</p>
<ul style="list-style-type: none"> lamaPLC: Measurement 	<p>2026/06/05 15:43</p>	<p>energy meter, em, communication, modbus, easton, sdm120, xtm35sc, sdm230, ds100-00b, b g e-tech, sdm54, sdm72, sdm630, smart, x96-5, x96-5fj</p>

<ul style="list-style-type: none"> • LamaPLC: MH-Z19 series of NDIR CO₂ sensors 	2026/04/23 21:52	mh-z19, mh-z19d, mh-z19c, mh-z19b, mh-z19e, ndir, co ₂ , sensor, winsen, uart, pwm, communication, non-dispersive infrared, infrared, ir, temperature, arduino, code, tasmota
<ul style="list-style-type: none"> • lamaPLC: MLX90614 (GY-906) infrared non-contact thermometer 	2026/05/08 00:03	communication, i2c, temperature, mlx90614, gy-906, modul, infrared, non-contact thermometer, dsp, pwm, smbus, hailege
<ul style="list-style-type: none"> • lamaPLC: PCF857x I/O Expander chip/modul with I²C communication 	2026/05/15 01:03	communication, i2c, pcf857x, pcf8574, pcf8574a, pcf8575, i o expander, i o extension, nxp, texas instruments
<ul style="list-style-type: none"> • LamaPLC: Pixart PAJ7620U2 Gesture recognition sensors/module with I²C communication 	2026/04/23 21:52	paj7620u2, gy-paj7620, pixart, gesture recognition, i2c, communication, sensor, arduino, code
<ul style="list-style-type: none"> • lamaPlc: Profinet 	2026/04/23 21:51	communication, bus, profinet, mrp, rstp, gsddl, xml, profibus, ethernet, tcp
<ul style="list-style-type: none"> • lamaPLC: PTA8C04 4-channel PT100 Modbus Modul 	2026/02/14 18:42	pta8c04, sensor, modbus, rtu, rs-485, communication, platine, um72
<ul style="list-style-type: none"> • lamaPLC: RadiationD Geiger counter module and tubes 	2026/05/15 16:47	communication, j305, j321, m4011, sbm-20, sts-5, lnd-712, radiation, miller, geiger-mueller, tube, saturation, radiationd, module, usv h, cpm, cajoe
<ul style="list-style-type: none"> • lamaPLC: RP2040_ETH_Modul: MLX90614 simple 	2026/05/12 17:06	code, micropython, 2026, rp2040 eth, i2c, communication, mlx90614
<ul style="list-style-type: none"> • lamaPLC: RP2040_ETH_Modul: Read BME 680/688 sensor data 	2026/05/12 21:06	code, micropython, 2026, rp2040 eth, bme680, i2c, sensor, communication
<ul style="list-style-type: none"> • lamaPLC: RP2040_ETH_Modul: Read BME 680/688 sensor data and store in Modbus input registers 	2026/05/12 18:58	code, micropython, 2026, rp2040 eth, bme680, i2c, sensor, communication
<ul style="list-style-type: none"> • LamaPLC: S7-1500 and Metrawatt EM2389 Modbus TCP communication 	2026/04/23 21:52	simatic, s7, modbus, communication, metrawatt, em2389, source code, scl, mid
<ul style="list-style-type: none"> • LamaPLC: S7-1500 and Sicam Q200 Modbus TCP communication 	2026/04/23 21:52	simatic, s7, modbus, tia portal, communication, sicam, q200, sicam q200, source code, scl, class a
<ul style="list-style-type: none"> • lamaPLC: S7-1500 and UICPAL Temp.humi.sensor Modbus TCP communication 	2026/04/23 21:52	bus, communication, s7, simatic, s7 1500, s7 1200, scl, uicpal, temperature, humidity, modbus, example, download, tia portal
<ul style="list-style-type: none"> • LamaPLC: SGP Sensirion TVOC/VOC sensors with I²C communication 	2026/04/15 19:41	sgp30, sgp40, sgp41, sensirion, gas-sensor, i2c, communication, sensor, arduino, code, eco ₂ , voc, tvoc, indoor air quality, iaq, nox, hydrogen
<ul style="list-style-type: none"> • LamaPLC: SHT Sensirion Temperature/humidity sensor with I²C communication 	2026/04/23 21:52	sht20, sht21, sht25, sht30, sht31, sht35, sht40, gy21, temperature, humidity, i2c, communication, sensor, arduino, code
<ul style="list-style-type: none"> • LamaPLC: ST7789 driver / TFT-LCD screen 	2026/05/19 21:37	communication, spi, st7789, tft, lcd, screen, ips
<ul style="list-style-type: none"> • lamaPLC: TCA9548A (HW617); Low-Voltage 8-Channel I²C Switch Module 	2026/02/14 23:51	tca9548a, hw617, i2c, switch, communication, expansion board, arduino

<ul style="list-style-type: none"> • LamaPLC: Texas Instruments ADCs: Delta-sigma multi-channel Analog Converters with SPI communication 	2026/04/23 21:52	ads111x, ads12xx, delta-sigma, converter, texas instruments, adc, spi, communication, sensor, arduino, code, ads1110, ads1112, ads1113, ads1114, ads1115, ads1118, ads1119, ads1220, ads1232, ads1234, ads1256, ads1261, ads1263, multi channel
<ul style="list-style-type: none"> • LamaPLC: TOFnnnC STMicroelectronics Time-of-Flight (ToF) sensors with I²C communication 	2026/04/23 21:52	tof050c, vl6180, tof200c, vl53l0x, tof400c, vl53l1x, stmicroelectronics, time-of-flight, tof, i2c, communication, sensor, arduino, code
<ul style="list-style-type: none"> • lamaPLC: TWAI basics 	2026/04/23 21:51	bus, communication, as-i, basic, can, twai, espressif, esp32
<ul style="list-style-type: none"> • LamaPLC: UICPAL Temp.humi.sensor 	2023/06/25 00:43	simatic, s7, modbus, communication, temperature, humidity, sensor
<ul style="list-style-type: none"> • LamaPLC: VL53Lnn STMicroelectronics time-of-flight (ToF) laser-ranging sensors with I²C communication 	2026/04/23 21:52	vl53l0x, vl53l1x, vl53l0 1xv2, gy-530, time-of-flight, tof, laser-ranging, i2c, communication, sensor, arduino, code
<ul style="list-style-type: none"> • LamaPLC: VL6180X STMicroelectronics Time-of-Flight (ToF) sensor with I²C communication 	2026/04/23 21:52	vl6180x, stmicroelectronics, time-of-flight, tof, i2c, communication, sensor, arduino, code
<ul style="list-style-type: none"> • lamaPLC: Waveshare LoRA products 	2026/03/07 01:46	waveshare, lora manufacturer, communication, lora, modul, usb-to-lora-xf02, core 1262, 1262, spi, arduino, rp2040-lora, rp2040
<ul style="list-style-type: none"> • lamaPLC: XGZP68xx: Silicon Pressure Sensors/Module 	2026/05/15 15:17	communication, i2c, sensor, modul, pressure, cfsensor, xgzp68xx, xgzp6810d, xgzp6857d, xgzp6859d, xgzp6887d, xgzp6897d, xgzp6899a, piezoresistive, capacitive
<ul style="list-style-type: none"> • LamaPLC: XTM35SC Energy meter with Modbus communication 	2026/06/05 15:59	xtm35sc, modbus, modbus rtu, measuring, power, communication, current meter, voltmeter
<ul style="list-style-type: none"> • lamaPLC: YR-3180 - Weight sensor module with UART or Modbus communication 	2026/02/15 00:00	communication, modbus, rtu, sensor, weight, yr-3180, hx710b, arduino, ttl, rs-485
<ul style="list-style-type: none"> • LM393: Dual differential comparator (flame, light, sound sensors) 	2026/05/12 22:18	communication, analog, lm393, lm-393, flame, ir, sound, hall, sensor, ky-026, hw-484, ky-037, ky-038, fc-03, hc-89, ky-024, modul
<ul style="list-style-type: none"> • Magnetic angle sensors 	2026/04/23 21:52	magnetic angle sensor, magnetic flux, sensor, spi, i2c, pwm, communication, modul, as5047p, as5600, mt6701, mt6816, mt6835, tle5012b, amr, gmr, tmr, anisotropic magnetoresistive
<ul style="list-style-type: none"> • NT18B07: 7 Kanal RS485 Temperatur Sensor with Modbus RTU 	2026/02/14 18:49	nt18b07, sensor, modbus, rtu, rs-485, communication, platine
<ul style="list-style-type: none"> • Simatic Modbus S7 error- and statuscodes 	2026/04/23 21:52	communication, bus, modbus, error, modbus error code, 7000, 7001, 7002, 7003, 7004, 7005, 7006, 80a1, simatic, s7, siemens, tia

- [Waveshare](#) 2026/04/23 21:52 [waveshare](#), [converter](#), [modbus](#), [modbus rtu](#), [modbus tcp](#), [communication](#)
- [XTM35SC current / voltage meter](#) 2026/04/23 21:52 [xtm35sc](#), [modbus](#), [modbus rtu](#), [measuring](#), [power](#), [communication](#), [current meter](#), [voltmeter](#)

[CJMCU-164](#), [SN74HC164D](#), [8-bit Shift Register](#), [SN74HC164D](#), [communication](#), [7-segment](#), [CJMCU](#), [Arduino](#)

This page has been accessed for: Today: 6, Until now: 161

From:
<http://lamaplc.com/> - **lamaPLC**

Permanent link:
http://lamaplc.com/doku.php?id=sensor:cjmcu_164

Last update: **2026/04/21 20:47**

